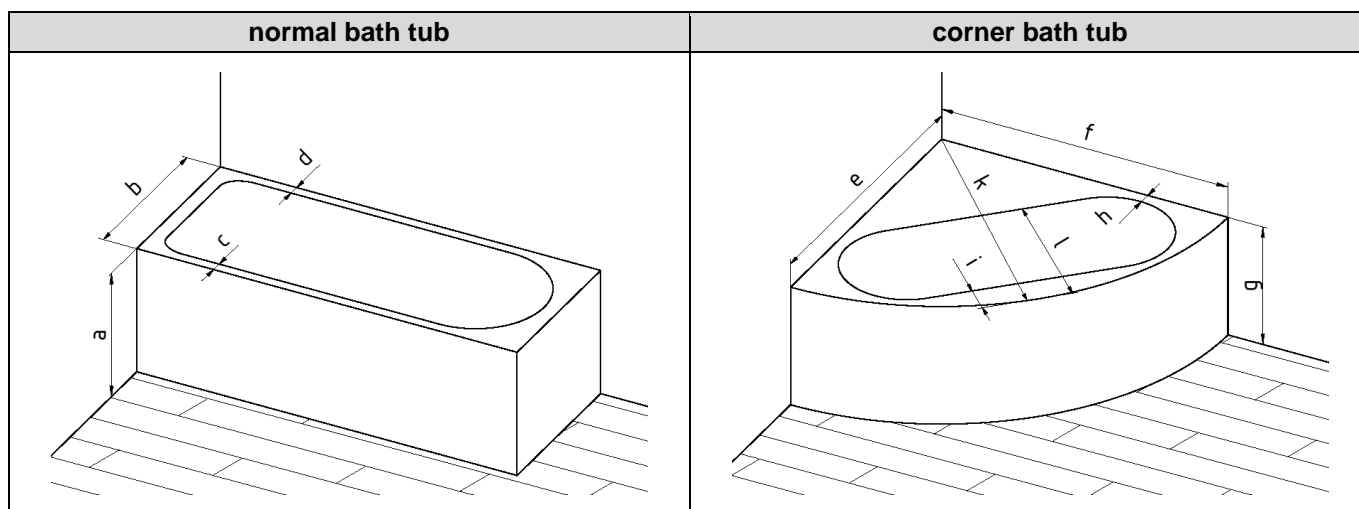


Bath tub measures for aks-foldo

FB 40 05 001-Rev2_EN

Allgemeine Angaben		
retailer:	customer No.:	consignee:
	reuse: yes <input type="checkbox"/> no <input type="checkbox"/>	serial No.: (if available)
	measured on:	measured by:



	dimensions	standard dimensions	measured on site
a	bath tub height (cm)	58 cm till 67 cm (optimal 65 cm*)	
b	bath tub width (cm)	68 cm till 75 cm	
c	margin width of bath tub – operator side (cm)	≥4 cm till 6,5 cm	
d	margin width of bath tub – side wall (cm) (width of horizontal support surface)	min. 4 cm	
e	side length (cm)		
f	side length (cm)		
g	bath tub height (cm)		
h	margin width of bath tub (cm)		
i	margin width of bath tub – front (cm)		
k	curvature depth in front (cm)		
l	max. bath tub width (cm)		
specifies (e.g. brick lining or step in front of bath tub)			
height (cm)			
width (cm)			

* by this bath tub height the support arm is almost horizontal on bath tub support

Nur für aks-Mitarbeiter:

bearbeitet von (IDM): _____ eingegangen bei E & TD am: _____